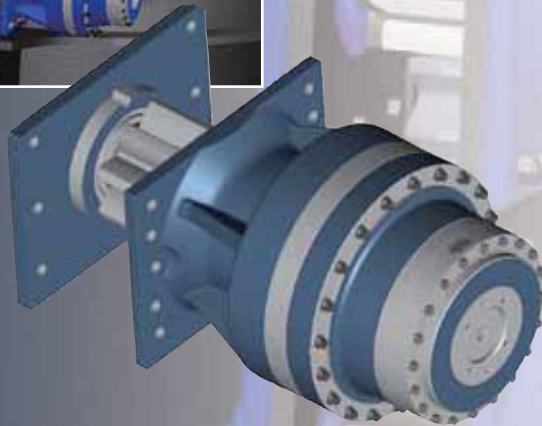


FAIRFIELD

JACK UP DRIVE SOLUTION
FOR OFFSHORE OIL & GAS APPLICATIONS

用于离岸油田和气田的顶升驱动解决方案





你可以依赖的驱动系统
来自离岸海事驱动解决方案的引领者

drive systems you can rely on
**from the leader in offshore
marine drive solutions**



基于30多年来在工业领域中的经验,Fairfield拥有工程、设计和应用方面的专家,来保证您的设备精准地配装正确的驱动系统 – 用于提供平稳、可靠的性能,为您提供更强的竞争力。

With more than 30 years' experience in the industry, Fairfield has the engineering, design and application expertise to ensure your equipment is powered with precisely the right drive system—built to deliver the smooth, reliable performance that gives you a strong competitive edge.

关注Fairfield提供各种ABS-和DNV认证的工程驱动解决方案,它们用于各种离岸用途.

- 顶升腿驱动装置,用于作业船和离岸平台
- 摇摆驱动装置,用于起重机和转臂回转
- 绞车和卷扬机驱动装置
- 定制的驱动装置,用于独特的离岸用途
- 定制的齿轮和轴

Look to Fairfield for a wide range of ABS- and DNV-certified engineered drive solutions that serve a variety of offshore applications.

- Jack-up leg drives for workboats and offshore platforms
- Swing drives for cranes and boom rotation
- Winch and hoist drives
- Custom-designed drives for unique offshore applications
- Custom gears and shafts



顶升腿驱动装置
Jack-Up Leg Drives

大扭矩顶升驱动装置

High-Torque Jack-Up Drives

TORQUE-HUB® 顶升驱动装置

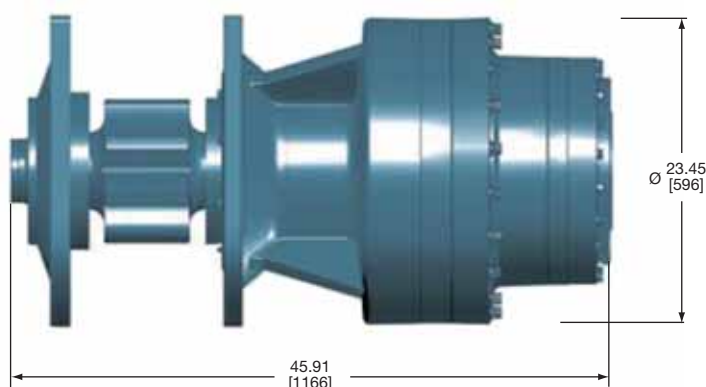
TORQUE-HUB® Jacking Drives

扩展了的设计和制造能力连同几十年来在离岸工业领域中的经验,意味着Fairfield能够向您提供工业领域中最好的顶升驱动解决方案.我们的全系列Torque-Hub®顶升驱动产品是设计成满足专门需要和您的特殊用途的要求.诸如定制的输入配置、输出小齿轮和适合您应用场合的特殊速比等特征,使得采用Fairfield的顶升驱动系统成为您的项目的最容易部分,我们的应用和设计团队作为您的工程部门来工作,致力于针对您的船只给您提供最好的解决方案.高质量、精密啮合保证平稳的顶升和可靠性,在大多数需要的应用场合,您都能够指望.

Fairfield的Torque-Hub®顶升驱动装置也通过ABS和DNV认证.今天就请与我们的专家联系,并且了解更多的有关您能够如何把我们的顶升驱动系统用于您的下一个离岸项目!

Extensive engineering and manufacturing capabilities combined with decades of experience in the offshore industry means that Fairfield can offer you the best jacking drive solutions in the industry. Our complete line of Torque-Hub® jacking drive products are designed to meet the specialized needs and requirements of your specific application. Features such as customized input configurations, output pinion gears, and specific ratios suited to your application make working with Fairfield jacking drive systems the easiest part of your project. Our application and design engineering team work as your engineering department devoted to providing you with the best solution for your vessel. High quality, precision gearing insures smooth jacking and reliability you can count on in the most demanding applications.

Fairfield's Torque-Hub® jacking drives are also available with ABS and DNV certifications. Contact one of our specialists today and learn more about how you can put our jacking drive systems to work for you on your next offshore project!

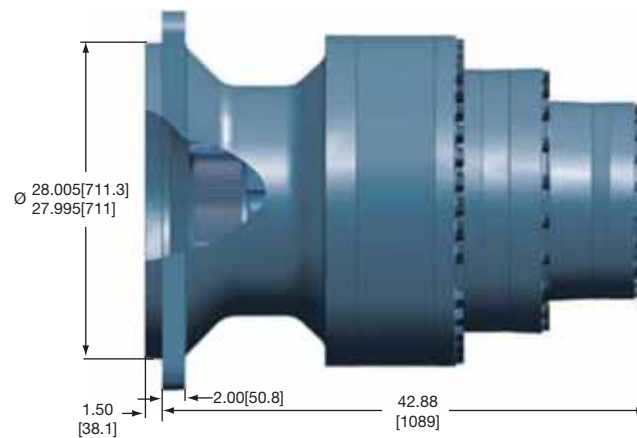


S60A顶升驱动装置/S60A Jacking Drive

最大顶起 (in.lb.) Max. Jacking (in.lb.)	短吨 Short Ton	KIPS	最大 保持 Max. Holding (in.lb.)	短吨 Short Ton	KIPS	风暴保持 (in.lb.) Storm Holding (in.lb.)	短吨 Short Ton	KIPS	速比 Ratio	设计 温度 Design Temp
732,000	81.03 ST	163 Kips	860,000	95.6 ST	191 Kips	1,100,000	122.2 ST	244 Kips	所示为374:1 其他速比有货 374:1 Shown Other Ratios Available	0°C

* 额定值假定使用第8齿小齿轮,具有4.5"的PR / Rating assumes use of an 8th tooth pinion with a PR of 4.5"

High-Torque Jack-Up Drives

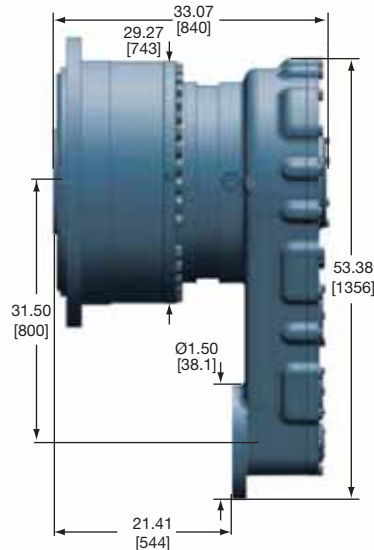


* 用于S180的输入选项, 电气和液压/ Input options Electric and Hydraulics for S180

S180顶升驱动装置/S180 Jacking Drive

最大顶起 (in.lb.) Max. Jacking (in.lb.)	短吨 Short Ton	KIPS	最大保持 (in.lb.) Max. Holding (in.lb.)	短吨 Short Ton	KIPS	风暴保持 (in.lb.) Storm Holding (in.lb.)	短吨 Short Ton	KIPS	速比 Ratio	设计 温度 Design Temp
1,800,000	124 ST	248 Kips	3,200,000	228 ST	456 Kips	4,200,000	340 ST	608 Kips	所示为2,028:1 其他速比有货 2,028:1 Shown Other Ratios Available	-10°C

* 额定值假定使用第9齿小齿轮, 具有10.3"的PR / Rating assumes use of a 9th tooth pinion with a PR of 10.3"



S650顶升驱动装置/S650 Jacking Drive

最大顶起 (in.lb.) Max. Jacking (in.lb.)	短吨 Short Ton	KIPS	最大保持 (in.lb.) Max. Holding (in.lb.)	短吨 Short Ton	KIPS	风暴保持 (in.lb.) Storm Holding (in.lb.)	短吨 Short Ton	KIPS	速比 Ratio	设计 温度 Design Temp
6,345,450	256 ST	518 Kips	8,389,800	380 ST	760 Kips	11,186,400	507 ST	1,014 Kips	所示为2,175:1 其他速比有货 2,175:1 Shown Other Ratios Available	0°C

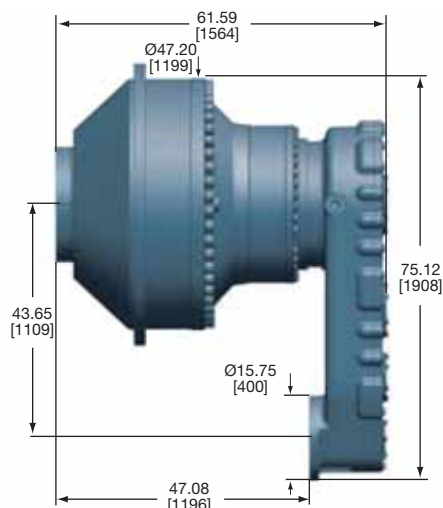
* 额定值假定使用第7齿小齿轮, 具有11.8"的PR / Rating assumes use of a 7th tooth pinion with a PR of 11.8"

参考所有顶升系统:
短吨额定值 = (in.lb.) / (小齿轮PR x 2000)
Kips = (短吨 x 2000) / 1000
**小齿轮花键接口按照用户的技术规格

Reference for all Jacking Systems:
S. Ton Rating = in.lb. / (pinion PRx2000)
Kips = (short ton x 2000) / 1000
** Pinion spline interface to customer specifications

大扭矩顶升驱动装置

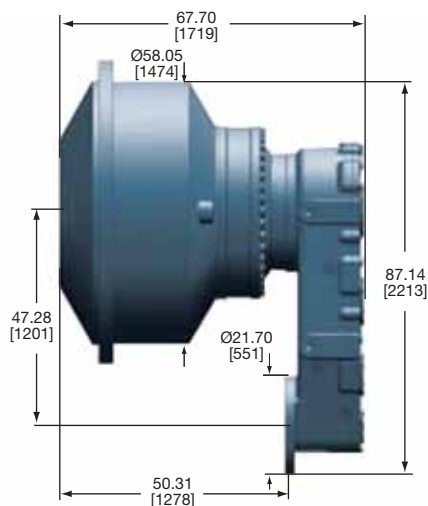
High-Torque Jack-Up Drives



S1000顶升驱动装置/S1000 Jacking Drive

最大顶起 (in.lb.) Max. Jacking (in.lb.)	短吨 Short Ton	KIPS	最大保持 (in.lb.) Max. Holding (in.lb.)	短吨 Short Ton	KIPS	风暴保持 (in.lb.) Storm Holding (in.lb.)	短吨 Short Ton	KIPS	速比 Ratio	设计 温度 Design Temp
9,136,000	331 ST	662 Kips	12,151,000	440 ST	880 Kips	16,000,000	580 ST	1,160 Kips	所示为7,125:1 其他速比有货 7,125:1 Shown Other Ratios Available	-10°C

* 额定值假定使用第7齿小齿轮, 具有13.8"的PR / Rating assumes use of a 7th tooth pinion with a PR of 13.8"



S2000顶升驱动装置/S2000 Jacking Drive


最大顶起 (in.lb.) Max. Jacking (in.lb.)	短吨 Short Ton	KIPS	最大保持 (in.lb.) Max. Holding (in.lb.)	短吨 Short Ton	KIPS	风暴保持 (in.lb.) Storm Holding (in.lb.)	短吨 Short Ton	KIPS	速比 Ratio	设计 温度 Design Temp
20,381,550	633 ST	1,266 Kips	24,249,000	838 ST	1,676 Kips	26,957,100	931 ST	1,862 Kips	所示为7,764:1 其他速比有货 7,764:1 Shown Other Ratios Available	0°C

* 额定值假定使用第7齿小齿轮, 具有28.9"的PR / Rating assumes use of a 7th tooth pinion with a PR of 28.9"

参考所有顶升系统:
短吨额定值 = (in.lb.) / (小齿轮PR x 2000)
Kips = (短吨 x 2000) / 1000
**小齿轮花键接口按照用户的技术规格

Reference for all Jacking Systems:
S. Ton Rating = in.lb. / (pinion PRx2000)
Kips = (short ton x 2000) / 1000
** Pinion spline interface to customer specifications





有关解决方案, 产品详情, 请联系:
For Solutions and Details of Product , Please Contact:

动力技术(中国)有限公司

香港九龙荔枝角长顺街5号
长江工厂大厦5楼C室
电话: 852-2612-0482 / 2612-0481
传真: 852-2612-2483

POWERTECH (CHINA) LTD.

Flat C, 5/F, Cheung Kong Factory Bldg,
5 Cheung Shun Street,
Lai Chi Kok, Kowloon, Hong Kong
Tel: 852-2612-0482 / 2612-0481
Fax: 852-2612-2483

上海德林动力设备有限公司

上海市平江路139号, 3楼310室
邮编: 200032
电话: 86-21-5039-3068 / 5039-3078
传真: 86-21-5039-3038

SHANGHAI POWERTECH EQUIPMENT LTD.,

Room 310, 3/F., 139 Pingjiang Road,
Shanghai, China P.C.200032
Tel: 86-21-5039-3068 / 5039-3078
Fax: 86-21-5039-3038